

Model OT-250 Work Bench Fuel Tank

Applies to: Models RV-__ or RA-__



Model OT-250 Work Bench Fuel Tank

WARNING: Do not use the work bench top of a Model OT-250 fuel oil tank for cutting or welding. Fire or explosion may result.

DESCRIPTION

The Model OT-250 fuel tank is a 250-gallon, single-wall, indoor, UL listed fuel oil tank. Oil tanks often eliminate needed work and storage space, but the Model OT-250 oil tank is designed with a work bench top that allows the tank itself to be used as a work area. The tank has a large (12-1/2 sq. ft.) work surface with 2" side and rear retainer lips and 3" legs allowing for "toe space".

Tank construction is of 12 gauge carbon steel with all welded seems. The tank painted exterior coordinates with Reznor® oil-fired heaters.

The Reznor® Model OT-250 fuel tank is also engineered to facilitate installation. The 3" tank support legs not only provide "toe space" but are convenient for forklift handling. Each tank has the following connection ports - 2"supply, 2" gauge, 2"vent, 4"emergency vent and 1"drain. Each port has heavy duty forged threads.

The model OT-250 tank is UL® listed to UL® 142 Standard. Reznor® requires the use of UL listed or equivalent tanks with all Reznor® oil-fired heating products.

TECHNICAL DATA - Model OT-250

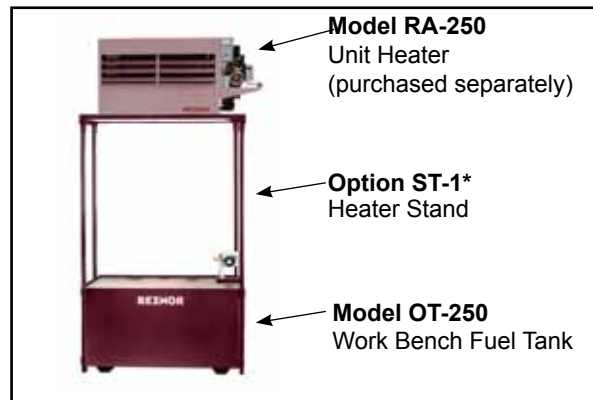
Capacity:	250 gallons
Dimensions (See reverse side)	
Length:	64"
Width:	30"
Height:	35"
Shipping Weight:	290 lbs.

STANDARD FEATURES

- UL Listed
- All welded construction
- Heavy duty forged threads
- 2" Supply connection
- 2" Vent connection
- 2" Threaded port for a field-supplied gauge
- 4" Emergency vent connection
- 1" Drain connection
- Large work bench top
- 2" Retainer lips
- 3" Support legs

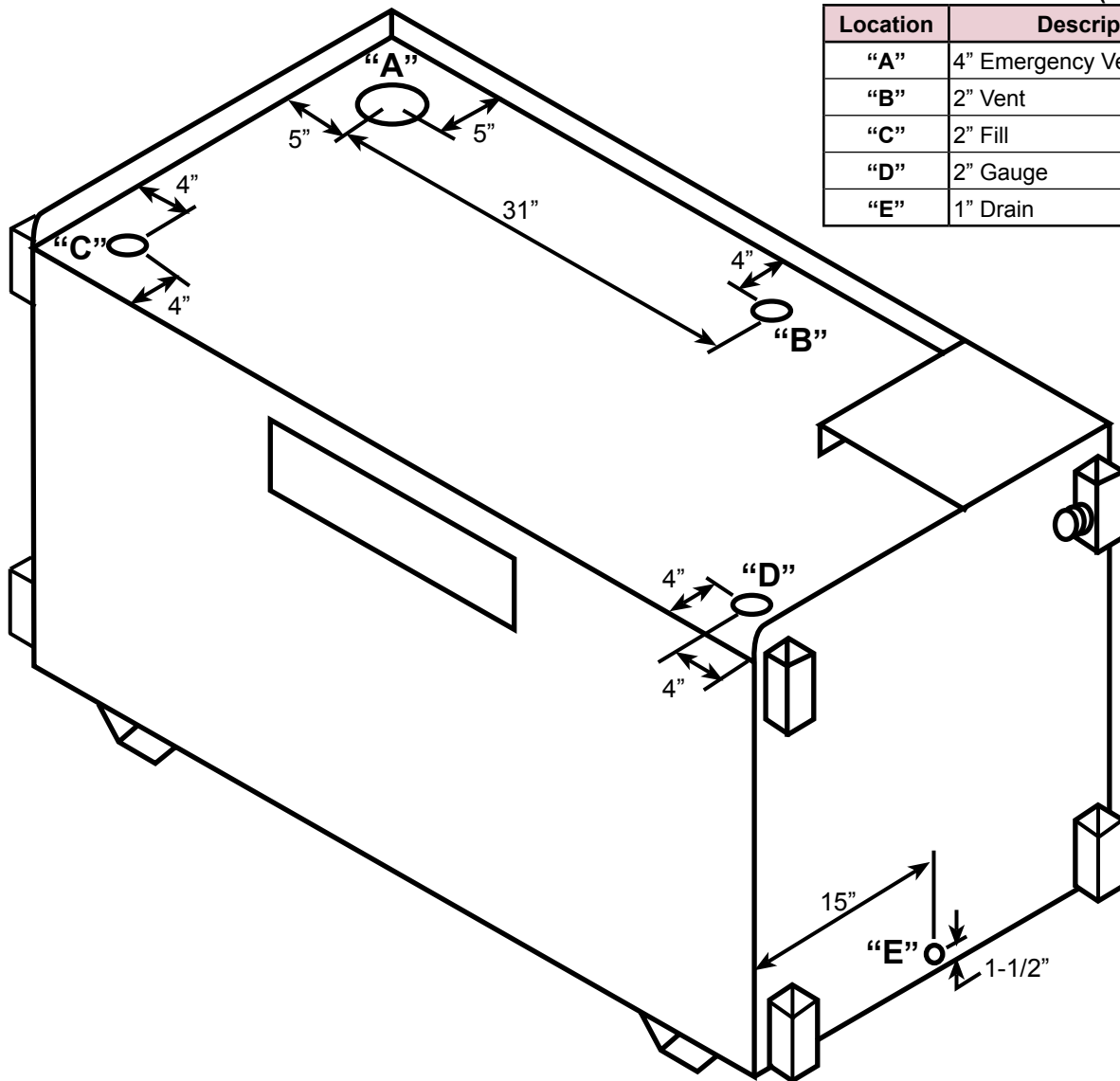
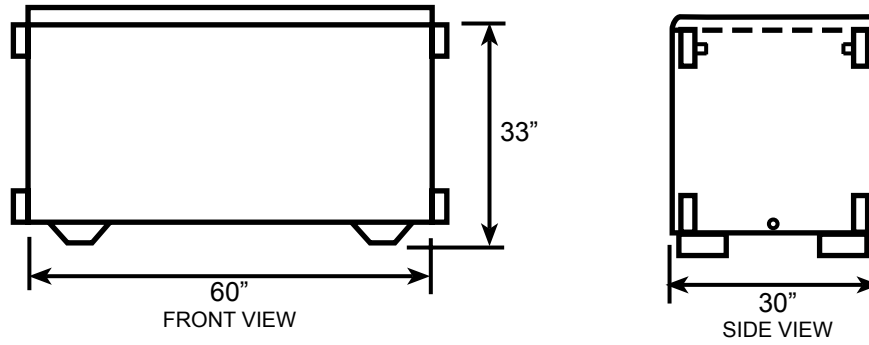
OPTIONAL EQUIPMENT

- Heater stand for Reznor® fan-type, oil-fired heater (for use with Model RA150, RA250, RV225, and RV325 only)



*Option ST-1 heater stand requires field assembly. Ship wt. is 75 lbs.

DIMENSIONS - Model OT-250



TREADED OPENINGS (NPT)

Location	Description
"A"	4" Emergency Vent
"B"	2" Vent
"C"	2" Fill
"D"	2" Gauge
"E"	1" Drain