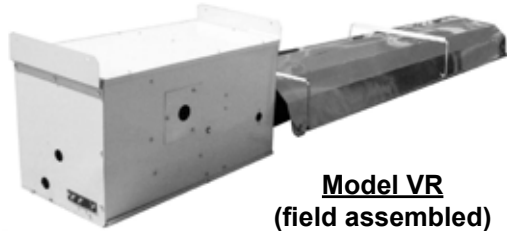


## Replacement Parts

Applies to: **Infrared Heater**  
**Model VR and Models RIH/RIHV**

Low-Intensity, Tubular, Infrared Heater



**Model VR**  
(field assembled)

High-Intensity, Infrared Heater



**Models RIH/RIHV**

### Table of Contents

Rating Plate and Serial No. (Model VR).....	2
Replacement Parts - Tubular, Low-Intensity Model VR.....	3-7
Replacement Parts - High-Intensity Infrared Models RIH/RIHV .....	7-8

### INDEX

<b>A</b>	Air Flow Switch 7 High Altitude Kit 3	<b>H</b>	Burner/Control Box Hanger 3 Hanger Bar 4, 5 Hardware Bag 5	<b>S</b>	Combustion Air Inlet Screen 3 Screen 8 Sensing Tube 3 Serial No 2 Heat Shield 8 Side Shield 5 Size Conversion 2
<b>B</b>	Burner/Control Box 3 Vent Adapter Box 6 Reflector Bracket 4, 5 Burner Assy 8	<b>I</b>	Ignition Control 3 Ignition Detection Control 7 Ignition Electrode 4 Ignitor 7	<b>T</b>	Terminal Strip 3, 4 Thermostat 7 Thermostat Bracket 6 Thermostat Cover 7 Transformer 3, 4, 6 5-ft Tube 5 10-ft Heat Exchanger Tube 4 "L" Tube 5 "U" Tube 5 Tube Packages 4 Tubes 4 Turbulator Section 4 Turnbuckle 7
<b>C</b>	Capacitor 4 Venter Motor Capacitor 3 Chain 7 Chain Hanging Kit 7 Hanging Chain Kit 6 Outside Combustion Air Inlet 6 Combustion Chamber Tube 4 Conduit 7 Angle Connector 7 Stainless Flex Connector 7 Controls 7 Gas Conversion Kits 3 Input Conversion Bag 3 Coupling 4, 5	<b>M</b>	Main Burner Assembly 3 Manifold 8 Venter Motor 3 Multiple Heater Control Pkgs 6	<b>U</b>	"U" Bolt 4
<b>D</b>	Date of Manufacture 2 Door 3	<b>N</b>	Spring steel receptacle nut 4	<b>V</b>	Dual Vent Kit 6 Vent Cap 6 Venter Housing 3 Venter Wheel 3
<b>E</b>	Electrode Assembly 3	<b>O</b>	Orifice 8 Orifice Adapter 3	<b>W</b>	Wire Grid 8 Wire Harness 7 Wire Reflector Retainer 4
<b>G</b>	Tube Gasket 4 Gas Valve 3, 7 Grommet 3	<b>P</b>	Burner Box Access Panel 3 Pressure Switch 3, 4		
		<b>R</b>	Rating Plate 2 5-ft Reflector 5 10-ft Reflector 4 Parabolic Reflector 8 Reflector Assembly 8 Reflector clips 4 Reflector End Cover 4 Reflectors 4 Relay 3, 4, 6 Restrictor Plate 3		

### References

Website with downloadable files - [www.RezSpec.com](http://www.RezSpec.com)

**Form I-VR**, Model VR Installation, Operation, Maintenance, and Service

**Form T-VR-CNFG**, Model VR Configuration Manual

**Form CP-VR-GC**, Model VR Gas Conversion

**Form I-RIH**, Model RIH/RIHV Installation, Operation, Maintenance, and Service

# Rating Plate and Serial No. (Model VR)

## Rating Plate Key:

- A** = Model
- B** = ANSI Certification
- C** = CSA Certification
- D** = Mfg Date (month & year)
- E** = Supply Voltage
- F** = Type of Fuel (natural gas or propane)
- G** = Burner Orifice Drill Size
- H** = Input (BTUH)
- I** = Manifold Pressure (" w.c.)
- J** = Minimum Gas Supply (inches w.c.)
- K** = Clearances to Combustibles - Burner End
- L** = Clearance to Combustibles - Heat Exchanger Bend
- M** = Clearance to Combustibles - Below
- N** = Clearance to Combustibles - Front/Rear, 0-30° Reflector
- O** = Clearance to Combustibles - Front/Rear, 31-45° Reflector
- P** = Clearance to Combustibles - Front/Rear, 0-30° Reflector with Side Shield

**REZNOR®**  
MERCER, PA. USA 16137

MADE IN MEXICO  
NRTL

INFRA-RED RADIANT TUBE HEATER  
FOR INDUSTRIAL/COMMERCIAL USE ONLY  
FOR INDOOR INSTALLATION ONLY. NOT FOR USE IN RESIDENTIAL DWELLINGS CERTIFIED UNDER ANSI Z83.20b - [ B ] CSA 2.34b - [ C ]  
LOW INTENSITY INFRARED HEATER

MODEL [ A ]  
SERIAL # [ C ]  
[ E ] VOLTS [ E ] PH [ E ] HZ MAXIMUM TOTAL INPUT [ E ] AMPS  
TYPE OF GAS [ F ]  
FOR USE AT 0-2000 FEET, 0-610 METERS OF ALTITUDE  
ORIFICE SIZE [ G ] DRILL  
NORMAL INPUT [ H ] BTU/HR  
NORMAL MANIFOLD PRESSURE [ I ] IN. W.C.  
MIN PERMISSIBLE AS SUPPLY PRESSURE FOR PURPOSE OF INPUT ADJUSTMENT [ J ] IN. W.C.

CLEARANCE TO COMBUSTIBLE CONSTRUCTION: TOP - 12"; FLUE CONNECTION - 6"; BURNER END [ K ]; EXHAUST END - 24"; HEAT EXCHANGER BEND (U OR L) [ L ]  
\*18" IF UNVENTED

REFLECTOR	MAX MOUNTING ANGLE	BELOW	(FRONT/ REAR)
STANDARD REFLECTOR	0 TO 30 DEG	[ M ]	[ N ]
STANDARD REFLECTOR	31 TO 45 DEG	[ M ]	[ O ]
STANDARD REFLECTOR W/SIDE SHIELDS (ONE SIDE ONLY)	0 TO 30 DEG	[ M ]	[ P ]

THIS UNIT CAN BE INSTALLED IN VARIABLE CONFIGURATIONS AS SPECIFIED IN THE MANUFACTURER'S FORM T-VR-CNFG.  
FOR STRUCTURES LISTED BELOW, USE APPLICABLE STANDARDS.  
INSTALLATION OF THIS UNIT IN AIRCRAFT HANGARS IN CANADA MUST BE IN ACCORDANCE WITH THE REQUIREMENTS OF THE ENFORCING AUTHORITIES.  
IN PUBLIC GARAGES, IN ACCORDANCE WITH THE CAN/CGA-B149 (1 OR 2) CODES IN CANADA.  
AIRCRAFT HANGARS USE STANDARD ANSI/NFPA 409 IN THE USA  
PARKING STRUCTURES USE STANDARD ANSI/NFPA 88A IN THE USA  
REPAIR GARAGES USE STANDARD ANSI/NFPA 88B IN THE USA  
FOR USE WITH TYPE L VENT  
FOR INDOOR INSTALLATION ONLY  
THIS UNIT IS FOR USE WITH NATURAL GAS AND PROPANE  
A CONVERSION KIT AS SUPPLIED BY THE MANUFACTURER SHALL BE USED TO CONVERT THE HEATER TO THE ALTERNATE FUEL.

**REZNOR®**  
MERCER, PA. USA 16137

FABRIQUÉ AU MEXIQUE  
NRTL

INFRA-RED RADIANT TUBE HEATER  
POUR USAGE INDUSTRIEL/COMMERCIAL SEUL  
INSTALLATION À L'INTÉRIEUR SEULEMENT. NE PAS INSTALLER DANS UN LOGEMENT. CERTIFIÉ UNDER ANSI Z83.20b - [ B ] CSA 2.34b - [ C ]  
LOW INTENSITY INFRARED HEATER

MODELE [ A ]  
#DE SÉRIE [ D ]  
[ E ] VOLTS [ E ] PH [ E ] HZ CONSOMMATION TOTALE MAX. DE [ E ] AMPS  
TYPE DE GAZ [ F ]  
PRÉVU POUR 0-2000 PIEDS, 0-610 MÈTRES D'ALTITUDE  
DIMENSION DE L'ORIFICE [ G ] FORET  
ENTRÉE NORMALE [ H ] BTU/HEURE  
PRESSION NORMALE DE LA TUB [ I ] PO/COL D'EAU  
PRES. D'ALIM. MI. ACCEPTABLE DE GAZ POUR [ J ] PO/COL DES FIN DE RÉGLAGE DE L'ENTRÉE D'EAU

DÉGAGEMENT ENTRÉE LES CONSTRUCTIONS COMBUSTIBLES: EN HAUT - \*12 PO, RACCORD DE TUYAUX - 6 PO, CÔTÉ BRULEUR - [ K ]; CÔTÉ ÉVACUATION - 24 PO, COUDE D'ÉCHANGEUR (U OR L) [ L ]  
\*18 PO SI NON VENTILÉ

REFLECTEUR	ANGLE DE MONTAGE MAX.	DESSOUS	(AVANT/ ARRIERE)
RÉFLECTEUR STANDARD	0 À 30 DEG	[ M ]	[ N ]
RÉFLECTEUR STANDARD	31 À 45 DEG	[ M ]	[ O ]
RÉFLECTEUR STANDARD AVEC CÔTÉ ÉCRANS (UN CÔTÉ SEULEMENT)	0 À 30 DEG	[ M ]	[ P ]

CET APPAREIL PEUT ÊTRE INSTALLÉ SELON DES CONFIGURATION VARIABLES COMME IL EST STIPULÉ DANS LE FORMULAIRE T-VR-CNFG DU FABRICANT  
L'INSTALLATION DE UNITÉ DANS CES GARAGES D'AVIONS DOIT SE CONFORMER AUX CONDITIONS DES AUTORITÉS CHARGÉES DE FAIRE.  
APPLIQUER LA LOI. L'INSTALLATION DANS DES GARAGES PUBLICS DOIT SE CONFORMER AU CODE CAN/CGA-B149 (1 OU 2).  
S'UTILISE AVEC UN ÉVÉNEMENT DE TYPE L.  
FOR INDOOR INSTALLATION ONLY  
CET APPAREIL POUR UTILISATION AVEC LE GAZ NATUREL ET LE PROPANE.  
UNE TROUSSE DE CONVERSION FOURNIE PAR LE FABRICANT UNE TROUSSE DE CONVERSION FOURNIE PAR LE FABRICANT

**Serial No. Decoding**

Example: 

BJK	80	6A	N	12345
1	2	3	4	5

**CODES:**

- 1 = Date of manufacture (see chart below)
- 2 = Type of ignition
- 3 = Type of valve
- 4 = Type of gas (N= Natural; L= Propane)
- 5 = Consecutive number (for identification purposes only)

## First Element of the Serial Number - Date of Manufacture (Model VR)

Year	Jan	Feb	Mar	Apr	May	June	July	Aug	Sept	Oct	Nov	Dec
2002	BBA	BBB	BBC	BBD	BBE	BBF	BBG	BBH	BBI	BBJ	BBK	BBL
2003	BCA	BCB	BCC	BCD	BCE	BCF	BCG	BCH	BCI	BCJ	BCK	BCL
2004	BDA	BDB	BDC	BDD	BDE	BDF	BDG	BDH	BDI	BDJ	BDK	BDL
2005	BEA	BEB	BEC	BED	BEE	BEF	BEG	BEH	BEI	BEJ	BEK	BEL
2006	BFA	BFB	BFC	BFD	BFE	BFF	BFG	BFH	BFI	BFJ	BFK	BFL
2007	BGA	BGB	BGC	BGD	BGE	BGF	BGG	BGH	BGI	BGJ	BGK	BGL
2008	BHA	BHB	BHC	BHD	BHE	BHF	BHG	BHH	BHI	BHJ	BHK	BHL
2009	BIA	BIB	BIC	BID	BIE	BIF	BIG	BIH	BII	BIJ	BIK	BIL
2010	BJA	BJB	BJC	BJD	BJE	BJF	BJG	BJH	BJI	BJJ	BJK	BJL
2011	BKA	BKB	BKC	BKD	BKE	BKF	BKG	BKH	BKI	BKJ	BKK	BKL
2012	BLA	BLB	BLC	BLD	BLE	BLF	BLG	BLH	BLI	BLJ	BLK	BLL
2013	BMA	BMB	BMC	BMD	BME	BMF	BMG	BMH	BMI	BMJ	BMK	BML
2014	BNA	BNB	BNC	BND	BNE	BNF	BNG	BNH	BNI	BNJ	BNK	BNL
2015	BOA	BOB	BOC	BOD	BOE	BOF	BOG	BOH	BOI	BOJ	BOK	BOL

**Size Conversion Label - Model VR** - When servicing a heater with a rating plate reading Model VR75, VR125, or VR175, always look for a Size Conversion label.

- Rating Plate reads Model VR75 AND Size Conversion Label reads VR100 - Service heater as a Model VR100.
- Rating Plate reads Model VR125 AND Size Conversion Label reads VR150 - Service heater as a Model VR150.
- Rating Plate reads Model VR175 AND Size Conversion Label reads VR200 - Service heater as a Model VR200.

## Example of a Size Conversion Label

\* Minimum supply pressure is 5" w.c. for natural gas for Sizes 50-150; 6" w.c. for natural gas for Sizes 175-200; or 10" w.c. for propane gas for all sizes.

**IMPORTANT**

This appliance has been converted at the time of installation to a model \_\_\_\_\_  
Cet appareil a été converti au moment de l'installation en un modèle \_\_\_\_\_ (100, 150, or 200) \_\_\_\_\_  
by \_\_\_\_\_ with kit no. \_\_\_\_\_  
per \_\_\_\_\_ (name of service person or agency) \_\_\_\_\_ avec la kit n° \_\_\_\_\_ (Kit P/N) \_\_\_\_\_  
which accepts the responsibility that this conversion has been properly made.  
ce qui accepte la responsabilité que cette conversion a été correctement faite.

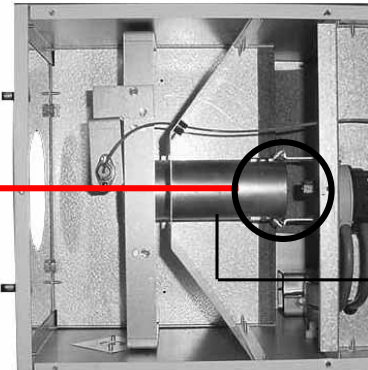
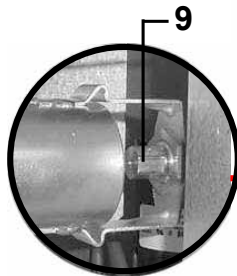
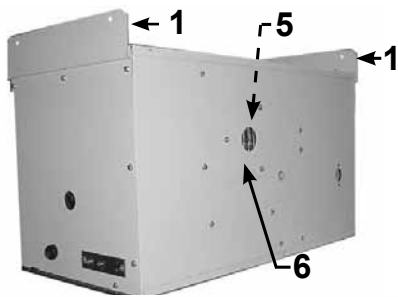
---

Orifice Size Dimension de l'orifice \_\_\_\_\_ (New Orifice Size) Drill Foret \_\_\_\_\_  
Normal input Entrée Normale \_\_\_\_\_ (100,000; 150,000; or 200,000) BTU/HR \_\_\_\_\_  
Minimum permissible gas supply pressure for purpose of input adjustment \_\_\_\_\_ (\*) in. w.c. \_\_\_\_\_  
Pres. D'alim. Min. acceptable de gaz pour des fin de réglage de l'entrée \_\_\_\_\_ (\*) PO/COL D'eau \_\_\_\_\_

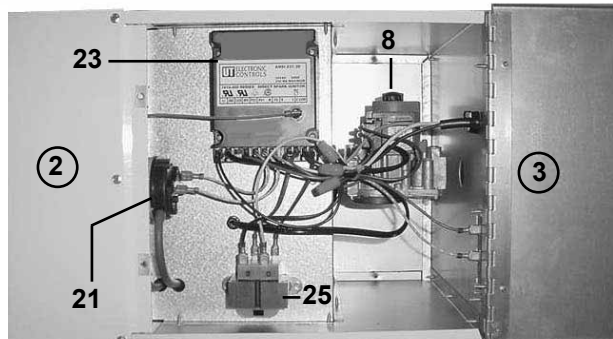
# Replacement Parts - Model VR

Code	Description	Qty	50	75	100	125	150	175	200	
				75/100		125/150		175/200		
1	Burner/Control Box Hanger	2	203954							
2	Burner Box Access Panel with Gaskets	1	205415							
3	Control Compartment Door w/Hinge and Latch	1	205414							
4	Receptacle Portion of the Door Latch (on box)	1	196336							
5	Combustion Air Inlet Screen	1	203974							
6	Combustion Air Restrictor Plate	115/1/60	1	203967	203968	203969	203970	203971	203972	203973
		208-230/1/60or50	1	203967	203968	203969	203970	203971	205539	--
7	Main Burner Assembly	1	204120				204121			
8	Combination Gas Valve (P/N and Serial No. Code -- see page 2.)	Natural Gas	1	260604 (7E) [replaces 147830(U2)]				204301 (6A)		
		Propane Gas	1	260606 (8E) [replaces 147560(U3)]						
9	Burner Orifice	Natural Gas	1	120147	131579	205430	205431	120165	205432	
		Marking		#29	4.25mm	#11	#2	D	J	
		Propane Gas	1	124966	196852	196854	196838	120149	205433	205434
		Marking		#45	#39	3.0mm	#30	#27	5/32"	4.3mm
10A	Orifice Adapter	1	165701							
10B	Brass Pipe Nut	1	165702							
11	Input Conversion Bag (In 75/100; 125/ 150; 175/200 Boxes ONLY. Converts 75 to 100; 125 to 150; 175 to 200)	Natural Gas	1	--	205504	--	205506	--	205508	--
		Propane	1	--	205505	--	205507	--	205509	--
12	Gas Conversion Kits	Nat to Pro		269842		269843		269844		
		Pro to Nat		269856		269857		269858		
13	Venter Housing	1	204116		204117		204118			
14	Sensing Tube Bracket and Tube Assembly	1	203938							
15	Venter Wheel	115/1/60	1	195036		120545		132007		
		208-230/1/60or50	1	195036		120545		135980	--	
16	Venter Motor	115/1/60	1	148055		214067 w/capacitor		214066 w/capacitor		
		208-230/1/60or50	1	148054				161416 w/capacitor	--	
17	Venter Motor Capacitor	115/1/60	1	--		163894, 4MFD				
		208-230/1/60or50	1	163894, 4MFD		--		--		
18	Venter Motor Plate	1	204119	120997		132019				
19	Spirol Spacers	115/1/60	4	97721		97722		--		
		208-230/1/60or50	4	97722				--		
20	Venter Motor Clip	115/1/60	2	262441		262442		194805		
		208-230/1/60or50	2	262441		262442		--		
21	Pressure Switch	0 - 6000 ft	1	205442 (white label)		205443 (yellow label)		205444 (green)		
		above 6000 ft	1	205445 (grey label)		205446 (pink label)		205444 (green)		
22	High Altitude Kit (Option DJ20)	above 6000 ft		205524		205525		--		
23	DSI Ignition Control, UTC #1016-426	1	204955							
24	DSI Electrode Assembly	1	204611							
25	Transformer	115/1/60	1	175265, 30 VA					--	
		208-230/1/60or50	1	194536, 40 VA					--	
26	Relay (optional; required with outside air)	1	18549 (For units mfgd prior to 8/11, order Relay Replacement Kit, P/N 263527.)							
27	2-pole 24V Terminal Strip	1	96041							
28	Vinyl Grommet for Gas Pipe	1	102607							

## Burner/Control Box



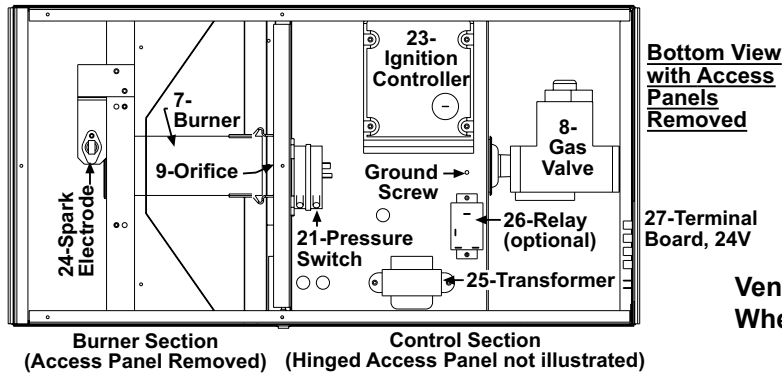
Burner Section - Bottom View with Access Panel Removed



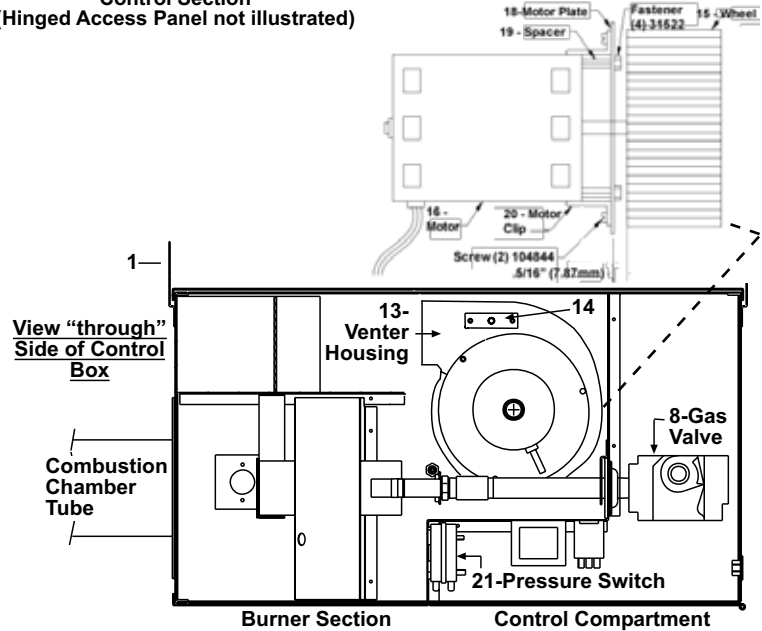
Control Compartment - Bottom View with Door Open and Burner Section Access Panel Closed







## Replacement Parts - Model VR (cont'd)

Model VR Burner/Control Box (cont'd) - See P/NS's on page 3.



## Venter Motor and Wheel Components



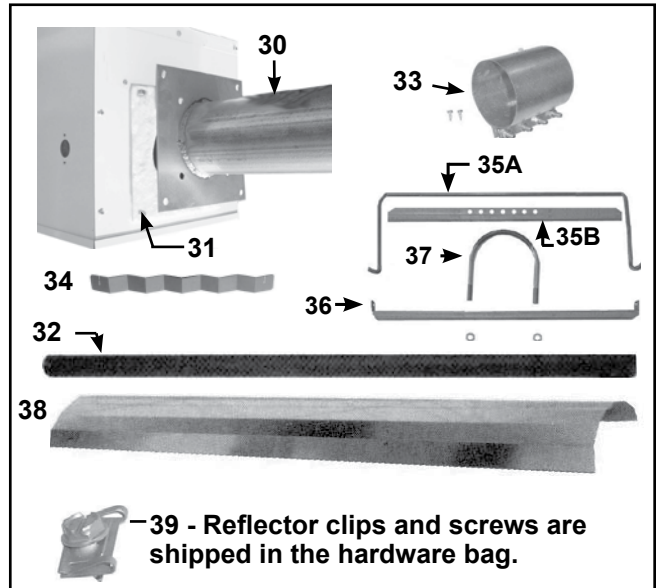
<b>CODE 17 - Venter Motor Capacitor</b> 	<b>CODE 24 - DSI Ignition Electrode</b> 
<b>CODE 21 - Pressure Switch</b> 	
<b>CODE 25 - Transformer</b> 	<b>CODE 26 - Relay</b> 
	<b>CODE 27 - 24V Terminal Strip</b> 

## Model VR Tubes, Reflectors, and Options

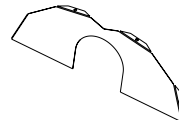
CODE	Description	All Sizes
30	Combustion Chamber Tube	205545
31	Combustion Chamber Tube Gasket	116029
32	10-ft Heat Exchanger Tube	205541
33	Compression Coupling w/all Hardware (Coupling is used for all tube to tube connections & tube to vent pipe.)	205546
34	Turbulator Section	116019
35A	Wire Reflector Retainer	Replaces P/N 205543 209321
35B	Tube and Reflector Hanger Bar	209322
36	Reflector Bracket	205586
37	"U" Bolt with brass nuts	131785
38	10-ft Reflector (NOTE: As of 6/12, Model VR reflectors are made of aluminized steel and may be used to replace aluminum reflectors.)	268220
39	Clip-on, spring steel receptacle nut	196336

Tube Packages include tubes, reflectors, and hardware.				
Package ID	VRE	VRF	VRG	VRH
Package P/N	205204	205205	205206	205151
Required for 20 ft length	1	-	-	-
Required for 30 ft length	-	1	-	-
Required for 40 ft length	1	-	1	-
Required for 50 ft length	1	-	-	1
Required for 60 ft length	-	1	-	1
Required for 70 ft length	-	1	2	-

P/N's and Components of the Hardware Packages included in Tube Pkgs VRE, VRF, VRG, & VRH listed above							
Tube Pkg	Replacement Hardware Pkg	Qty of Components by CODE					Plus each hardware package includes (6) #10 x 1/2" sheetmetal screws, P/N 11813, and (4) #10x1/2" long Tek's, P/N 37661
		33	34	35A&B	36	37	
VRE	P/N 209401	2	4	3	3	3	2
VRF	P/N 209402	3	3	4	4	4	2
VRG	P/N 209403	2	1	2	2	2	2
VRH	P/N 209404	3	2	3	3	3	2

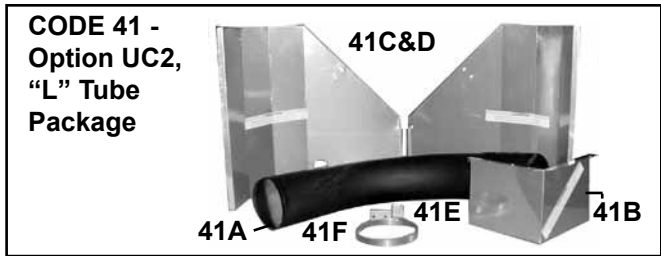


## CODE 40 - Reflector End Cover

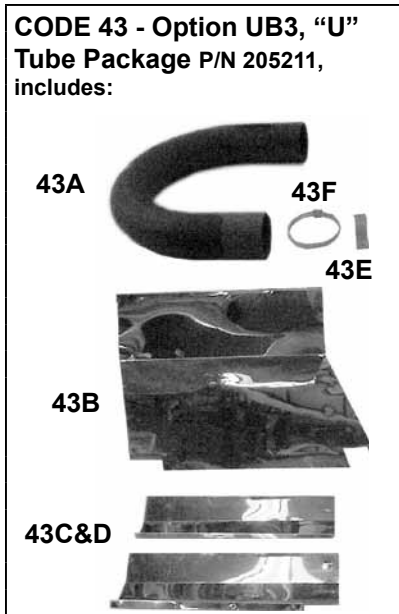


Option Designation	CD27	
Option Package P/N	205762	
Description	Qty	P/N
Reflector End Cover	2	268218
Screw #10-32x1/2" lg	8	113275
Nut #10-32 Keps	8	26490

CODE 41 - Option UC2, Package P/N 205217, includes:			
CODE	Qty	P/N	Description
<b>"L" Tube and Reflector Parts</b>			
41A	1	205218	"L" Heat Exchanger Tube
41B	1	268219	"L" Reflector Side
41C	1	268225	"L" Reflector Half Right
41D	1	268226	"L" Reflector Half Left
41E	1	120677	"L" Tube Reflector Bracket (in parts bag)
<b>Coupling and Hardware for Tube Connection</b>			
Same as CODE 33	1	205546	Compression Coupling
	2	37661	#10x1/2" Self-drilling Screws (shipped in parts bag below)
<b>Wire Reflector Retainer, Hanger Bar, Tube Bracket, and U-Bolt</b>			
Same as CODES 35A, 35B, 36 & 37	1	209321	Wire Reflector Retainer (Replaces 205543)
	1	209322	Hanger Bar
	1	205586	Reflector Bracket
	1	131785	U-Bolt w/Brass Nuts (in parts bag below)
<b>"L" Tube Kit Hardware Bag, P/N 205723, includes items below plus items above that indicate they are shipped in the parts bag:</b>			
	15	113275	Screws, #10-32 x 1/2" long
	15	26490	Nuts, Kep #10-32
	2	113807	Washers
41F	1	120716	1/2" Stainless Worm-drive Clamp
Same as CODE 39	2	196336	Clip-on, spring steel Receptacle Nut
	2	11813	#10x1/2" Sheetmetal Screws



CODE 42 - Option UA1, 5-ft Tube, Pkg P/N 205207, includes:			
Code	Qty	P/N	Description
<b>5 ft Tube and Reflector</b>			
5 ft Lengths of CODES 32 & 38	1	205208	5-ft Heat Exchanger Tube
	1	268221	5-ft Reflector
<b>Coupling and Hardware for Tube Connection</b>			
Same as CODE 33	1	205546	Compression Coupling
	2	37661	#10x1/2" Self-drilling Screws (parts bag below)
<b>Wire Retainer, Hanger Bar, Tube Bracket, U-Bolt</b>			
Same as CODES 35A, 35B, 36, & 37	1	209321	Reflector Retainer
	1	209322	Hanger Bar
	1	205586	Reflector Bracket
	1	131785	U-Bolt w/Brass Nuts (in parts bag)
<b>"5-ft" Tube Kit Hardware Bag, P/N 205721, includes items below plus the items above that indicate they are shipped in the parts bag:</b>			
Same as CODE 39	2	196336	Clip-on, Receptacle Nut
	2	11813	#10x1/2" Sheetmetal Screws




CODE 43				Qty	P/N	Description
<b>"U" Tube and Reflector Parts (See NOTE on page 4 about replacement reflectors.)</b>						
43A	1	205212	"U" Heat Exchanger Tube			
43B	1	268222	Reflector Top			
43C	1	268223	Reflector Right Side			
43D	1	268224	Reflector Left Side			
43E	1	120677	"U" Tube Reflector Bracket (shipped in parts bag below)			
<b>Coupling and Hardware for Tube Connection</b>						
Same as CODE 33	1	205546	Compression Coupling			
	2	37661	#10x1/2" Self-drilling Screws (shipped in parts bag below)			
<b>Wire Reflector Retainer, Hanger Bar, Tube Bracket, and U-Bolt</b>						
Same as CODES 35A, 35B, 36, & 37	1	209321	Wire Reflector Retainer (Replaces P/N 205543)			
	1	209322	Hanger Bar			
	1	205586	Reflector Bracket			
	1	131785	U-Bolt with Brass Nuts (in parts bag below)			
<b>"U" Tube Kit Hardware Bag, P/N 205722, includes items below plus the items above that indicate they are shipped in the parts bag:</b>						
	14	113275	Screws, #10-32 x 1/2" long			
	14	26490	Nuts, Kep #10-32			
	2	113807	Washers			
43F	1	120716	1/2" Stainless Worm-drive Clamp			
Same as CODE 39	2	196336	Clip-on, spring steel Receptacle Nut			
	2	11813	#10x1/2" Sheetmetal Screws			

**CODE 44 - Optional Side Shield (option selection based on length & number of side shield sections)**

Option	CD19	CD13	CD14	CD15	CD16	CD17	CD18	CD20
Length	5 ft	10 ft	20 ft	30 ft	40 ft	50 ft	60 ft	70 ft
Kit P/N	205738	205732	205733	205734	205735	205736	205737	205739
Components	Qty	P/N	Qty	P/N	Qty	P/N	Qty	P/N
Side Shield	1	268227	2	268227	4	268227	6	268227
8	268227	10	268227	12	268227	14	268227	16
<b>Wire Reflector Retainer, Hanger Bar, Tube Bracket and U-Bolt</b>								
Same as CODES 35A, 36, & 37	Reflector Retainer	1	209321	2	209321	4	209321	6
	Reflector Bracket	1	205586	2	205586	4	205586	6
	U-Bolt w/brass nuts (in parts bag below)	1	131785	2	131785	4	131785	6
<b>Side Shield Hardware Bag</b>								
CODE 44A	Pushnut, TRW #250015	4	125848	4	125848	8	125848	12
Same as CODE 39	Clip-on spring steel Receptacle Nut	2	196336	2	196336	4	196336	6
	#10x1/2" lg Sheetmetal Screw	2	11813	2	11813	4	11813	6

## Replacement Parts - Model VR (cont'd)

### Optional Accessories for Model VR

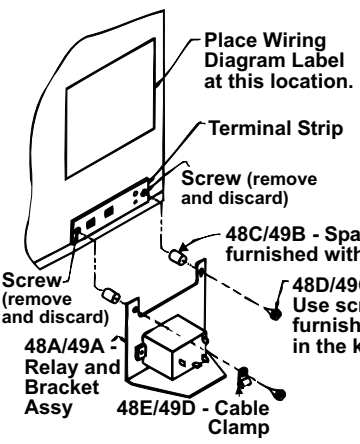
<b>CODE 46 - Option DE2, Outside Combustion Air Inlet, includes:</b>  <b>46D (P/N 18549)</b> 		<b>CODE 46 - Option DE2, Outside Combustion Air Inlet, includes:</b>			
		Kit P/N	204785		204786
For Model VR Sizes		50, 75, 100, 125, 150		175 and 200	
Code	Components	Qty	P/N	P/N	
46A	Combustion Air Inlet Cover	1	204783	204784	
46B	Inlet Air Cap	1	120726	204782	
46C	Flex Pipe, 40" (1016mm) long	1	120729, 4" diameter	204956, 5" dia	
46D	Relay Assembly	1	205540 (Relay P/N 18549 w/three 6" wires w/terminals) To replace relay only on unit mfgd prior to 8/11, order Relay Replacement Kit, P/N 263527.		
<b>Hardware Bag:</b>					
46E	1/2" Wide Worm Drive Clamp, stainless	2	102716, 3-5/8" to 4-1/2" diameter range	155320, 4-5/8" to 5-1/2" dia range	
(Not illustrated)	Drill Fixture	1	204615	204617	
	#8-32x1/2" long screw	2	195638 (to attach CODE 46A)		
	#6 x 5/8" lg round head phillips Rolox	2	110076 (for attaching CODE 46D)		
	Orange Screw-on Wire Connector	1	16354		
	Yellow Screw-on Wire Connector	1	16355		
	Wiring Diagram Label	1	205526		

### CODE 47 - Option CK11, Hanging Chain Kit, P/N 205402, includes:

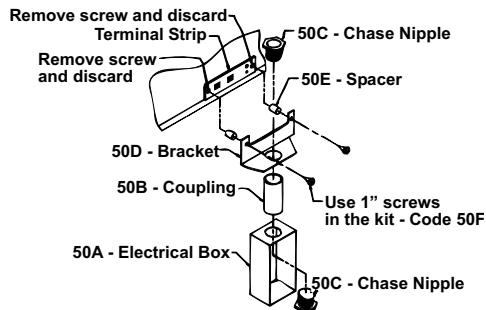
Qty	Description	P/N
1	50' long chain (200-lb working load)	120703
22	S Hooks (for suspension points*)	116034

\* The four "S" hooks for the burner/control box are included in the burner/control box hardware package.

### CODES 48 and 49 - Multiple Heater Control Pkgs (Same as Options CL31 and CL32 for Model VR)

 <p>Place Wiring Diagram Label at this location.</p> <p>Terminal Strip</p> <p>Screw (remove and discard)</p> <p>48C/49B - Spacers furnished with kit</p> <p>Screw (remove and discard)</p> <p>48A/49A - Relay and Bracket Assy</p> <p>48E/49D - Cable Clamp</p> <p>48D/49C - Use screws furnished in the kit.</p>	<b>Option CL31 for Model VR - Package P/N 205685</b>			
	<b>CODE</b>	<b>Qty</b>	<b>P/N</b>	<b>Description</b>
	48A	2	102243	Relay Assemblies each consisting of (1) P/N 18549 Relay, wired & mounted on a bracket. To replace relay only on unit mfgd prior to 8/11, order Relay Replacement Kit, P/N 263527.
	<b>CODE</b>	<b>Qty</b>	<b>P/N</b>	<b>Description</b>
	48B	1	194808	Transformer 40VA
	1	16354	Orange twist-on Wire Connector	
48C	4	98872	Spacers	
	2	197164	Wiring Diagram Label	
<b>Option CL32 for Model VR - Package P/N 205686</b>				
<b>CODE</b>	<b>Qty</b>	<b>P/N</b>	<b>Description</b>	
49A	1	102243	Relay Assy consisting of (1) P/N 18549 Relay, wired & mounted on a bracket. To replace relay only on unit mfgd prior to 8/11, order Relay Replacement Kit, P/N 263527.	
<b>CODE</b>	<b>Qty</b>	<b>P/N</b>	<b>Description</b>	
49B	2	98872	Spacers	
49C	2	121033	Screws #8 x 1" lg	
	1	197164	Wiring Diagram Label	

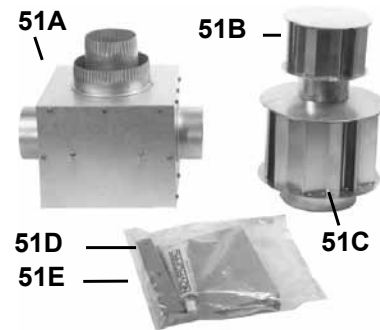
### CODE 50 - Thermostat Bracket Package (Same as Option CM3)



#### Thermostat Bracket Kit, P/N 98524 includes:

CODE	Qty	Description	P/N
50A	1	2 x 4 Electrical Box	17782
50B	1	1/2" Coupling conduit connector	7447
50C	2	1/2" Chase Nipples	3618
50D	1	Bracket	98353
50E	2	Spacers, 1/4" x 7/16" long	98872
50F	2	Screws, #8 x 1" long, Type B	121033

### CODE 51 - Dual Vent Kit (Same as Option CC5)



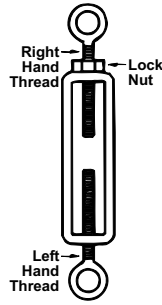
#### CODE 51 - Option CC5, Package P/N 120736, includes:

CODE	Qty	P/N	Description
51A	1	120290	Dual Vent Adapter Box
51B	1	110051	4" Vent Cap
51C	1	120869	6" Vent Cap
51D	1	53335	High Temperature Silicone
51E	2	120108	Support Angles

**CODE 52 - Turnbuckle and Turnbuckle Lock Nut**

Each option package includes equal quantities of P/N 120704, Eye-to-Eye Turnbuckle of forged carbon steel, and P/N 6554, 5/16-18 Nut (Kep).

Straight Length	Straight		With one "L" or "U"	
	Opt	P/N	Opt	P/N
20 ft	CK12	121046	CK13	120701
30 ft	CK13	120701	CK14	121047
40 ft	CK14	121047	CK15	132517
50 ft	CK15	132517	CK16	205583
60 ft	CK16	205583	CK17	205584
70 ft	CK17	205584	CK18	205585



**CODE 53 - Flexible Gas Connector, Option CE3 & CE4**



1/2", P/N 120715  
3/4", P/N 120874

**CODE 54 - 4" Vent Cap (Same as Option CC1), P/N 120738**



**CODE 55 - 1-Stage Thermostat, (Same as Option CL1), P/N 255350**

24 Volt; 50-90°F Range



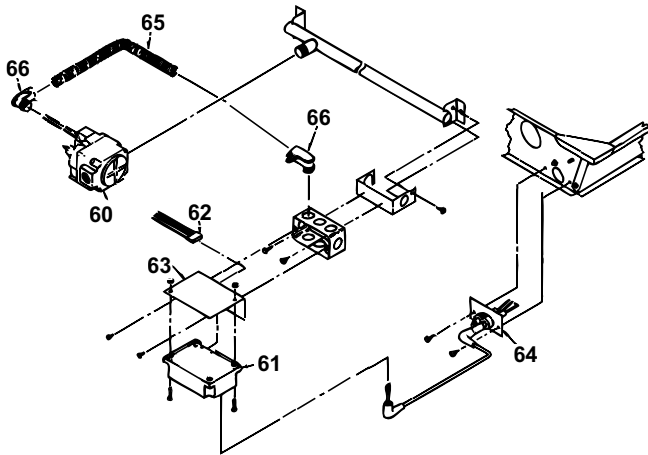
**CODE 56 - Thermostat Cover, W/R 29-0143 (Same as Option CM1), P/N 91926**

Clear Plastic Locking Cover



**Replacement Parts - High-Intensity Infrared Models RIH/RIHV**

**Controls - All RIH/RIHV High-Intensity Infrared Models**



CODE	P/N	Description
60	271822	Main Gas Valve (120V) - VR4205M1324 (natural & propane)
	271823	Replacement Valve Kit - order to replace previously used valve 1/2 0002-42-01536C01 A284, P/N 112044
61	96010	Ignition Detection Control Replacement Kit, #0001-22-046
62	96011	Wire Harness, #132084, Pkg R10
63	112045	Ignition Detection Control Mounting Bracket, #000K-1-016
64	112046	Ignitor, #0002-42-110
65	Conduit, 3/8" Greenfield with Anti-Short Bushings	
	112047	for RIHN30, RIHN60, RIHL50, #3802-95-300-01
	112048	for RIHVN 100, RIHVL90, #3802-95-300-02
	112049	for RIHVN 150, RIHVL 120, #3802-95-300-03
	112050	for RIHVN 160, RIHVN 200, #3802-95-300-04
66	112051	Angle Connector for 3/8" Greenfield, #3802-95-302
67	96016	Air Flow Switch, #132081-2N, Pkg R15

**Replacement Accessories**

Description	Same as	P/N
Chain - 50', 200 lb w/14 "S" Hooks	Opt UE-1	95995
Chain Hanging Kit (See illustration.)	Opt UE-2	110253
Stainless Flex Connector, 24", 7/8" OD w/1/2 gas cock w/pressure tap	Option UF-2	96000
Single-Stage Thermostat (below)	Opt CL34	110252

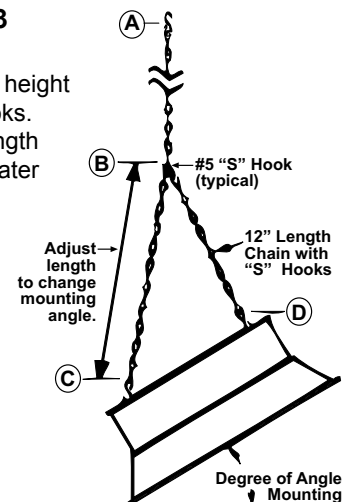


**Thermostat (Option CL34), P/N 110252**  
115/24 Volt; 50-90°F Range; nap Action Switch; Vertical Mounting; Mfr #132026-1

**Chain Hanging Kit, P/N 110253**

**Instructions:**

- 1) Hang full length chain at desired height and attach heater (C) with S-hooks.
- 2) Attach one end of the 11-inch length chain with S-hooks to front of heater (D).
- 3) Place other end of chain with S-hook in hook (B) on the full length chain.
- 4) Change degree of angle by moving "S" hook at point B.
- 5) Check to be sure unit is level. Crimp all "S" hooks closed.



# Replacement Parts - High-Intensity Infrared Models RIH/RIHV (cont'd)

## Burner, Reflector, Screen, and Heat Shield - High-Intensity Infrared Models RIH/RIHV

Component Description	RIHN 30, RIHN 60, RIHL 50			RIHVN 100, RIHVL 90			RIHVN 150, RIHVL 120			RIHVN 160, RIHVN200		
	CODE	P/N	Qty	CODE	P/N	Qty	CODE	P/N	Qty	CODE	P/N	Qty
Burner Assy (Combustion Chamber w/Tile)	69	112052	1	77	112052	2	85	112052	3	92	112052	4
Gas Manifold	70	112053	1	78	112054	1	86	112055	1	93	112056	1
Main Gas Orifice	71 - See table below.			79 - See table below.			87 - See table below.			94 - See table below.		
Standard Reflector Assembly	72	112057	1	80	112058	1	88	112059	1	95	112060	1
Wire Grid (Same as Option DN2)	73	110246	1	81	110247	1	89	110248	1	96	110249	1
Protective Screen for unit w/ Std Reflector (Same as Opt DN3)	74	115381	1	82	115382	1	90	123383	1	97	115384	1
Parabolic Reflector (Same as Opt DM2)	75	110242	1	83	110243	1	91	110244	1	98	110245	1
Heat Shield (Same as Option DO2)	76	110250	1	84	110251	1	--	--	-	--	--	-

### Main Gas Orifice Chart (CODES 71, 79, 87, and 94)

	RIHN 30	RIHN 60	RIHL 50	RIHVN 100	RIHVL 90	RIHVN 150	RIHVL 120	RIHVN 160	RIHVN 200
Qty	1	1	1	2	2	3	3	4	4
P/N	113191	143574	112103	112102	112104	112102	112105	112709	112102
Size	#43	#30	#46	#32	5/64"	#32	#49	#36	#32

