

**Installation Form for Vertical Louvers,
Option CD1**

Applies to: Model RV

Description and Application

Vertical louvers are designed to direct the discharge air to provide a wider throw pattern. These vertical louver option packages apply to Reznor® Used Oil Model RV.

Components

Model RV	225	325
Option Pkg P/N	203562	203563
<i>Components:</i>		
Louver Frame Top and Bottom	(4) 203580	
Louver Frame Sides	(4) 203578	(4) 203579
Screws, #8-18 x 3/8" long, AB point, slotted indented serrated hex washer head	(24) 195638	
Louvers	(12) 203582	(12) 203583
Compression Springs	(12) 195046	

WARNING

Improper installation, adjustment, alteration, service, or maintenance can cause property damage, injury or death. Read the installation, operation, and maintenance instructions thoroughly before installing or servicing this equipment.

Installation Instructions

Installation should be done by a qualified agency in accordance with these instructions and in compliance with all codes and requirements of authorities having jurisdiction.

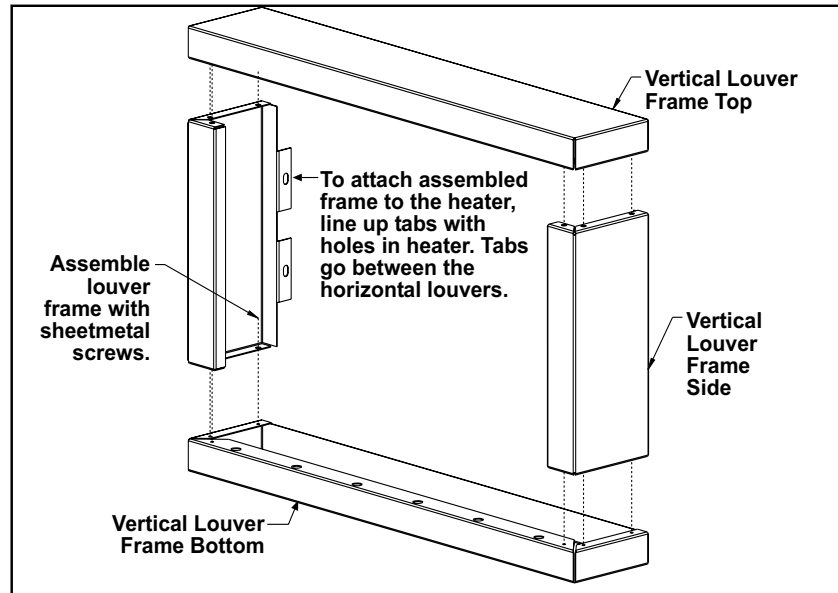
1. Assemble the Vertical Louver Frames (See FIGURE 1.)

There are two frames per unit; assemble each separately.

Using the screws in the kit, attach two sides to a top. (**NOTE:** Top and bottom are identical.) Attach the assembled top and sides to a bottom creating a frame.

Repeat to assemble the second louver frame.

FIGURE 1 - Assemble both Louver Frames



2. If the heater is installed, for your safety, turn it off before installing the vertical louvers.

3. Install the Vertical Louver Frame

If full outlet opening is in the front or back, position one assembled louver frame in the top half of the heater outlet so that the holes in the tabs on each side are lined up with the holes in the heater. (The tabs fit between the horizontal

Installation Instructions (cont'd)

louvers.) Using the screws in the kit, attach the tabs to the sides of the heater outlet. Install the other louver frame in the bottom half.

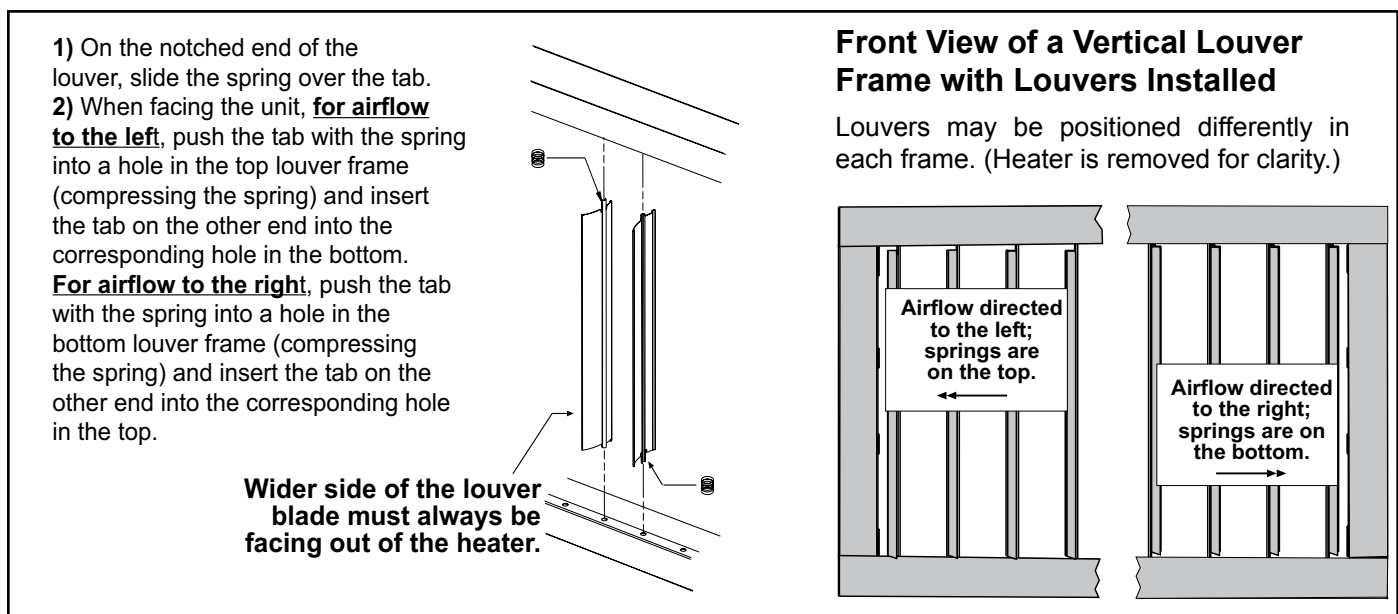
If the outlet is split between front and back, position one assembled louver frame in the opening on the front of the heater. (The tabs fit between the horizontal louvers.) Using the screws in the kit, attach the tabs to the sides of the heater outlet. Install the other louver frame in the outlet on the back of the heater.

4. Install the Vertical Louvers in the Louver Frames Using the Compression Springs (See FIGURE 2.)

Before actually installing the louvers, note the louver curve and determine how the louvers should be positioned to provide the optimal throw pattern. Depending on where the heater is installed and the desired direction of airflow, louvers may be installed with the curve all the same direction (either way) or the right half one way and the left the other as illustrated in FIGURE 2. Louvers in each frame may also be positioned differently. .

- a) **With the wider section facing out of the heater**, place one of the compression springs over the tab on the notched end of the louver.
- b) Depending on the throw pattern selected, the end with the spring can go either in the top support or the bottom. See FIGURE 2. Slide the tab with the spring into one of the holes in either the top or bottom support. Push the louver, compressing the spring enough to place the tab on the other end into the corresponding hole in the other support.
- c) Continue installing the louvers until all vertical louvers are in place.

FIGURE 2 - Installing Louvers



5. Adjust the horizontal and vertical louvers to provide the desired throw pattern.

CAUTION: To avoid getting burned, adjust louvers while heater is not in operation. If louvers are adjusted while heater is in operation, wear protective gloves.

6. Turn on the heater. The heater is ready to operate when the green light comes on (may take up to 15 minutes depending on length of time the heater was off). Check for proper operation.

REZNOR

Form I-RV-VL, P/N 203725R2, Page 2

www.ReznorHeaters.com
(855) 854-3172

©2014 Reznor, LLC. All rights reserved.

Trademark Note: Reznor® is registered in at least the United States.

0514 (Serial No. Date Code BNE) Form RZ-NA I-RV-VL (Version .2)