

**Installation Form for
Vertical Louvers, Option CD1**

Applies to: Models RA 150 and 250 and RAD 150 and 250

**Description and
Application**

Vertical louvers are designed to direct the discharge air to provide a wider throw pattern. These vertical louver option packages apply to Reznor® used oil unit heater Models RA/RAD 150/250 as listed in the table below.

Components

Models RA/RAD	150	250
Option Pkg P/N	254036	254037
<i>Components - (qty) and P/N</i>		
Louver Support	(2) 254032	(2) 254033
Louver Sides	(2) 254034	
Louver Post	(1) 254035	
Screws	(22) 11813 #10x1/2" lg sheetmetal screws	
Louvers	(10) 203583	(14) 203583
Compression Springs	(10) 195046	(14) 195046

**Installation
Instructions**

WARNING

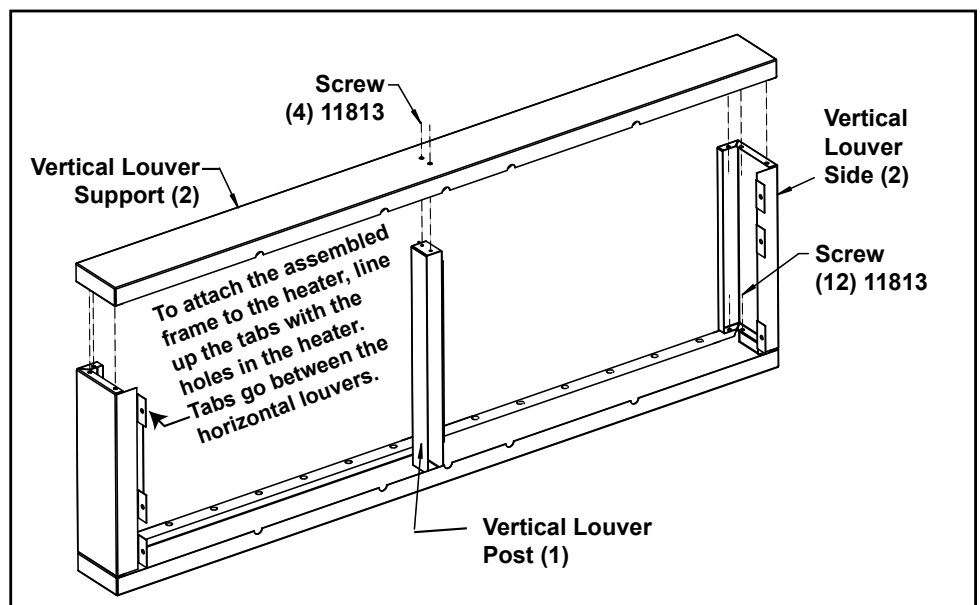
Improper installation, adjustment, alteration, service, or maintenance can cause property damage, injury or death. Read the installation, operation, and maintenance instructions thoroughly before installing or servicing this equipment.

Installation should be done by a qualified agency in accordance with these instructions and in compliance with all codes and requirements of authorities having jurisdiction.

1. Assemble the Vertical Louver Frame (See FIGURE 1.)

Using the screws in the kit, attach both sides to the top. (**NOTE:** Top and bottom are identical.) Attach the assembly to the bottom creating a frame.

**FIGURE 1 - Assemble
the Louver Frame**



2. If the heater is installed, for your safety, turn it off before installing the vertical louvers.

Installation Instructions (cont'd)

3. Install the Vertical Louver Frame

Position the assembled louver frame in the heater outlet so that the holes in the tabs on each side are lined up with the holes in the heater. (The tabs fit between the horizontal louvers.)

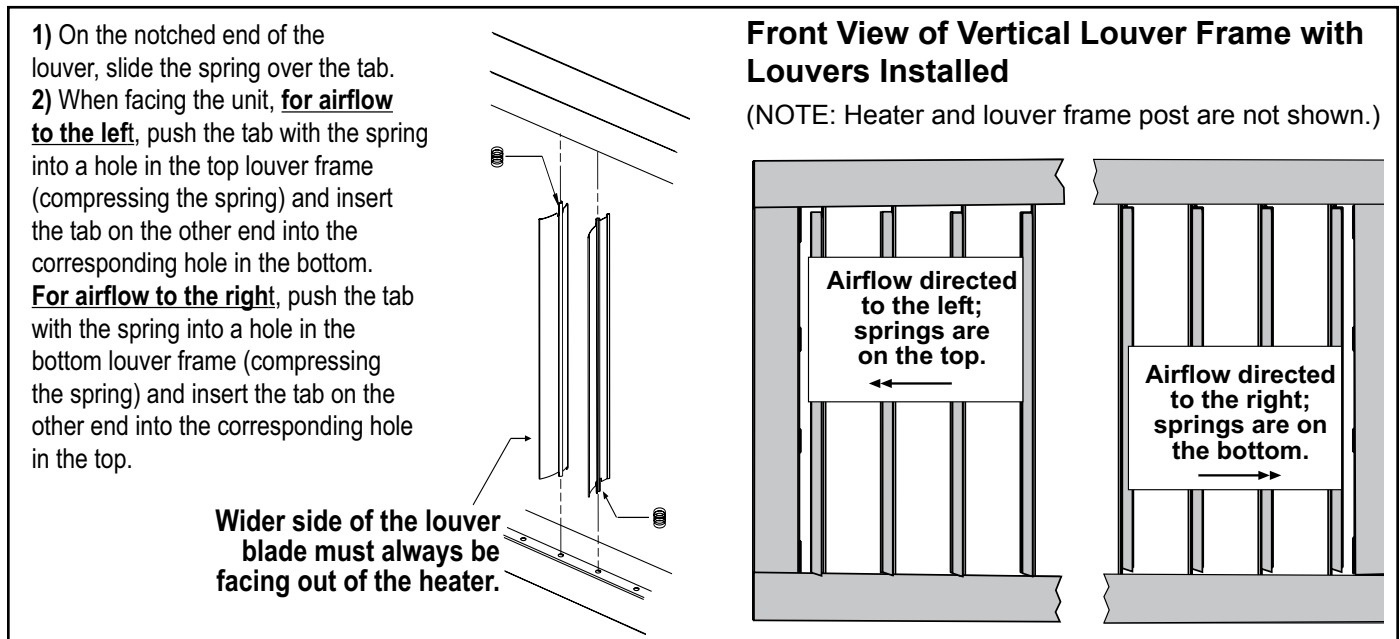
Using the screws in the kit, attach the tabs to the sides of the heater outlet.

4. Install the Vertical Louvers in the Louver Frame Using the Compression Springs (See FIGURE 2.)

Before actually installing the louvers, note the louver curve and determine how the louvers should be positioned to provide the optimal throw pattern. Depending on where the heater is installed and the desired direction of airflow, louvers may be installed with the curve all the same direction (either way) or the right half one way and the left the other as illustrated in FIGURE 2.

- a) With the wider section facing out of the heater, place one of the compression springs over the tab on the notched end of the louver.
- b) Depending on the throw pattern selected, the end with the spring can go either in the top support or the bottom. See FIGURE 2. Slide the tab with the spring into one of the holes in either the top or bottom support. Push the louver, compressing the spring enough to place the tab on the other end into the corresponding hole in the other support.
- c) Continue installing the louvers until all vertical louvers are in place.

FIGURE 2 - Installing Louvers



5. Adjust the horizontal and vertical louvers to provide the desired throw pattern.

CAUTION: To avoid getting burned, adjust louvers while heater is not in operation. If louvers are adjusted while heater is in operation, wear protective gloves.

6. Turn on the heater. The heater is ready to operate when the green light comes on (may take up to 15 minutes depending on length of time the heater was off). Check for proper operation.

www.ReznorHeaters.com
(855) 854-3172

REZNOR