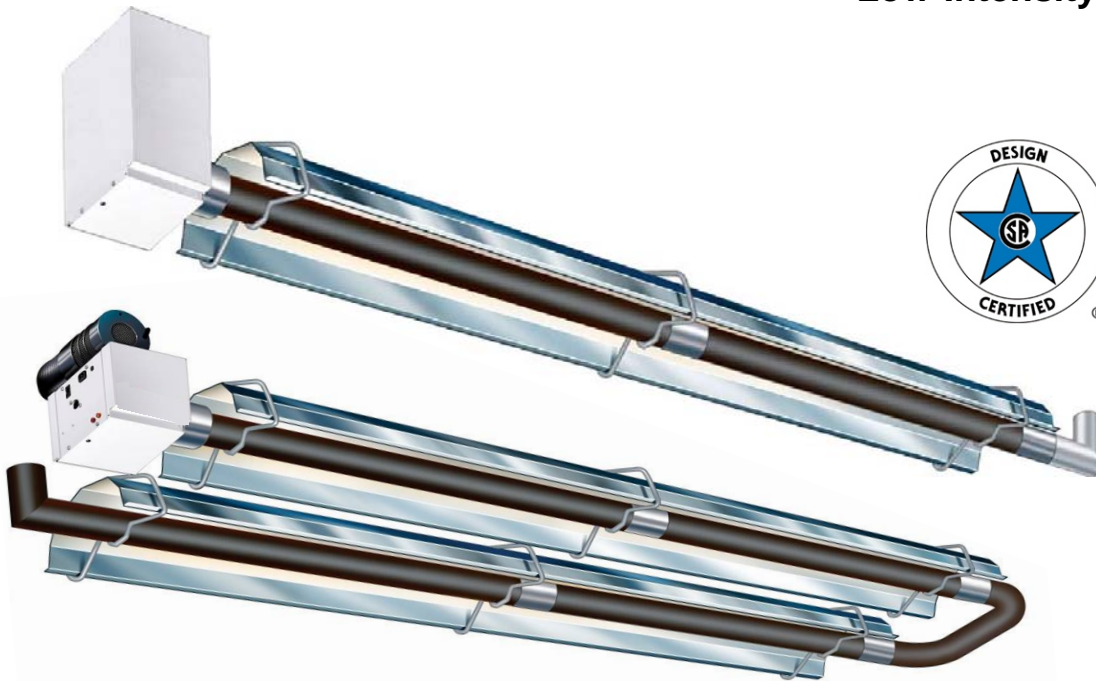


COMBUSTION AIR CONVERSION INSTRUCTIONS

Applies to: Gas-Fired, Tubular, Radiant,
Low-Intensity Infrared Heater



FOR YOUR SAFETY

If you smell gas:

1. Open windows.
2. Don't touch electrical switches.
3. Extinguish any open flame.
4. Immediately call your gas supplier.

FOR YOUR SAFETY

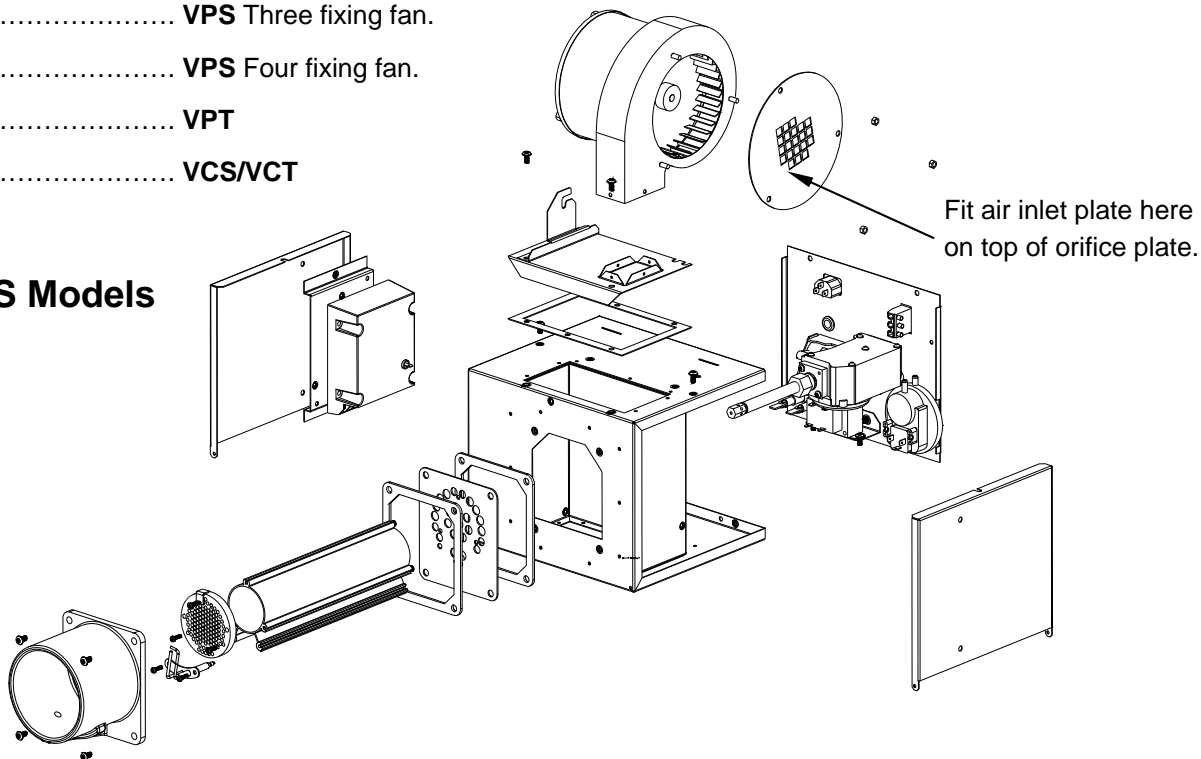
The use and storage of gasoline or other flammable vapors and liquids in open containers in the vicinity of this appliance is hazardous.

WARNING: Improper installation, adjustment, alteration, service, or maintenance can cause property damage, injury or death. Read the installation, operation, and maintenance instructions thoroughly before installing or servicing this equipment.

WARNING: Gas-fired appliances are not designed for use in hazardous atmospheres containing flammable vapors or combustible dust, in atmospheres containing chlorinated or halogenated hydrocarbons, or in applications with airborne silicone substances.

- Section 1** **VPS** Three fixing fan.
- Section 2** **VPS** Four fixing fan.
- Section 3** **VPT**
- Section 4** **VCS/VCT**

VPS Models



Any unused components supplied with the fresh air inlet conversion kits need to be disposed of accordingly as not all parts supplied are required.

There are two different fresh air inlet plates, one has three fixing holes and one has four fixing holes (see table). Follow the relevant procedure for the type of fan fitted to the appliance being converted.

Size	Fresh Air Inlet Plate Type						
	60	80	100	125	150	170	200
VPS 3 Hole	*	*	*	*	*	*	
VPS 4 Hole							*
VPT	Already fitted (kit inlet plates not needed)						
VCS/VCT	Already fitted (no inlet plate in kit)						

VPS/VPT CONVERSION KIT PART NUMBER 270613		
Part No.	Description	Quantity
270426	5mm dia x 10mm long screw	3
269916	4 hole fresh air inlet plate	1
269913	3 hole fresh air inlet plate	1
270422	Hose clamp 90-120mm	2
270462	Flexible hose 108mm dia x 350mm long	1
270688	Combustion air conversion manual	1

VCS/VCT CONVERSION KIT PART NUMBER 270614		
Part No.	Description	Quantity
270435	5mm dia x 16mm long stainless steel screw	3
270423	Stainless steel hose clamp 90-120mm	2
270462	Flexible hose 108mm dia x 350mm long	1
270688	Combustion air conversion manual	1

Section 1

VPS Three Fixing Fan Procedure

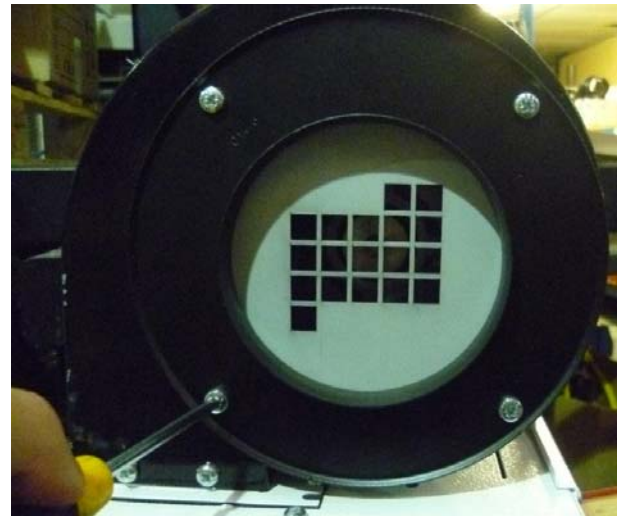
Step 1: Using an 8mm wrench remove the nuts securing the fan orifice plate.



Step 2: Do **not** remove the orifice plate. Attach the fresh air inlet plate on top of the orifice plate and refasten with the original nuts, making sure not to cross thread the fan stud fixings.

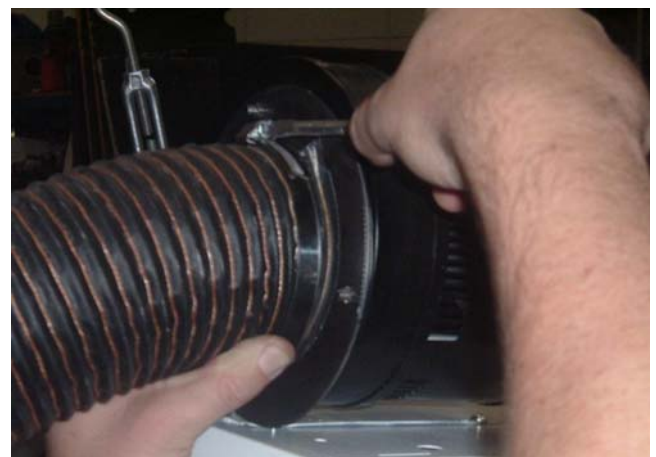


Step 2: Do **not** remove the orifice plate. Attach the fresh air inlet plate on top of the orifice plate and refasten with the original screws, making sure not to cross thread the fan fixings.



Hose Connection


Step 3: After attaching the fresh air inlet plate, connect the flexible hose. Using a No. 2 flat screwdriver, tighten the hose clamp screw to make a secure connection. Re-commission the burner to ensure correct operation.

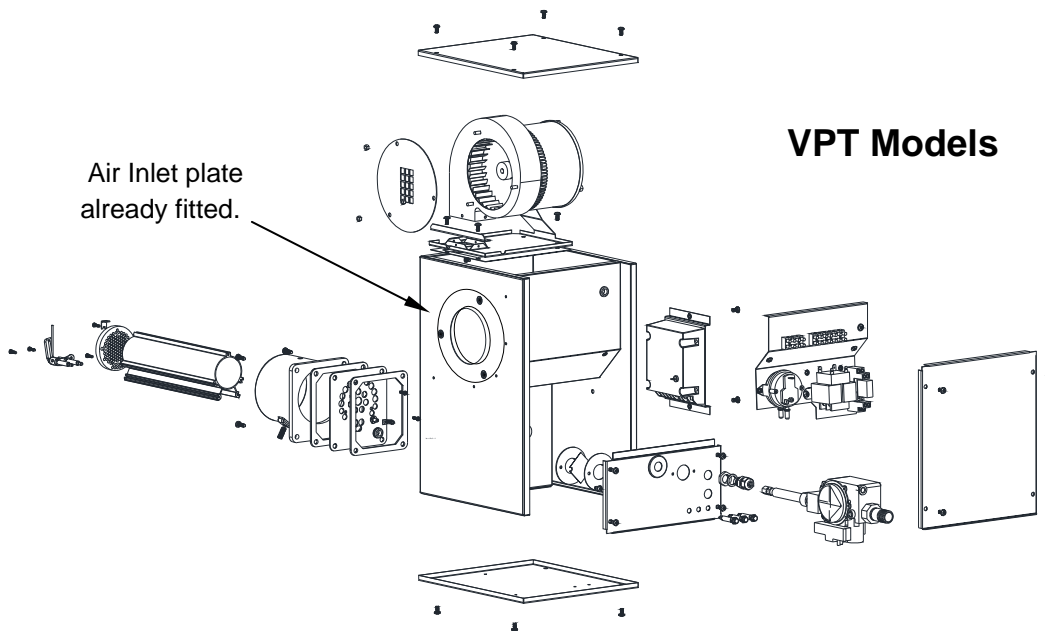


Section 2

VPS Four Fixing Fan Procedure

Step 1: Using a No.2 cross head screwdriver, remove the four screws securing the fan orifice plate.

 For details of fresh air ductwork to the exterior please refer to the appropriate instruction manual for the heater being converted.



Section 3

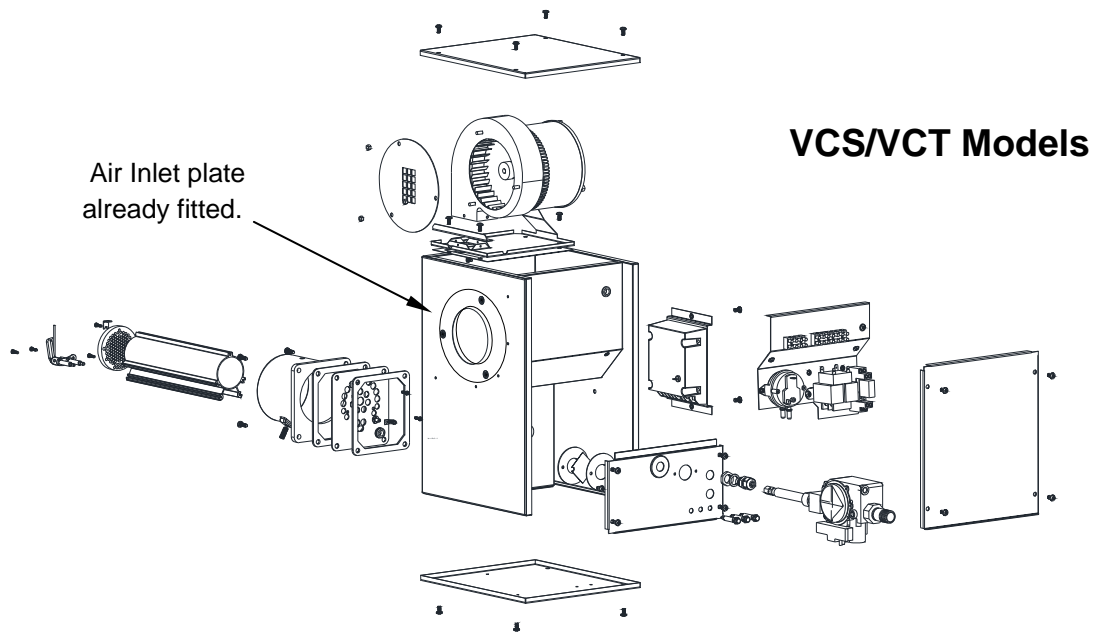
VPT Hose Connection

Connect the flexible hose. Using a No. 2 flat screwdriver tighten the hose clamp screw to make a secure connection. Re-commission the burner to ensure correct operation.



i Any unused components supplied with the fresh air Inlet conversion kits need to be disposed of accordingly as not all parts supplied are required.

i For details of fresh air ductwork to the exterior please refer to the appropriate instruction manual for the heater being converted.



Section 4

VCS/VCT Hose Connection

Connect the flexible hose. Using a No. 2 flat screwdriver tighten the hose clamp screw to make a secure connection. Re-commission the burner to ensure correct operation.



- i Any unused components supplied with the fresh air Inlet conversion kits need to be disposed of accordingly as not all parts supplied are required.
- i For details of fresh air ductwork to the exterior please refer to the appropriate main instruction manual for the heater being converted



800-695-1901

www.RezSpec.com

(c) 2014 Reznor, LLC. All rights reserved

Trademark note: Reznor is registered in at least the United States.

All other marks are the property of their respective organizations.

0314 BNC OG POD Form CP-VP-CA (Version A.2)